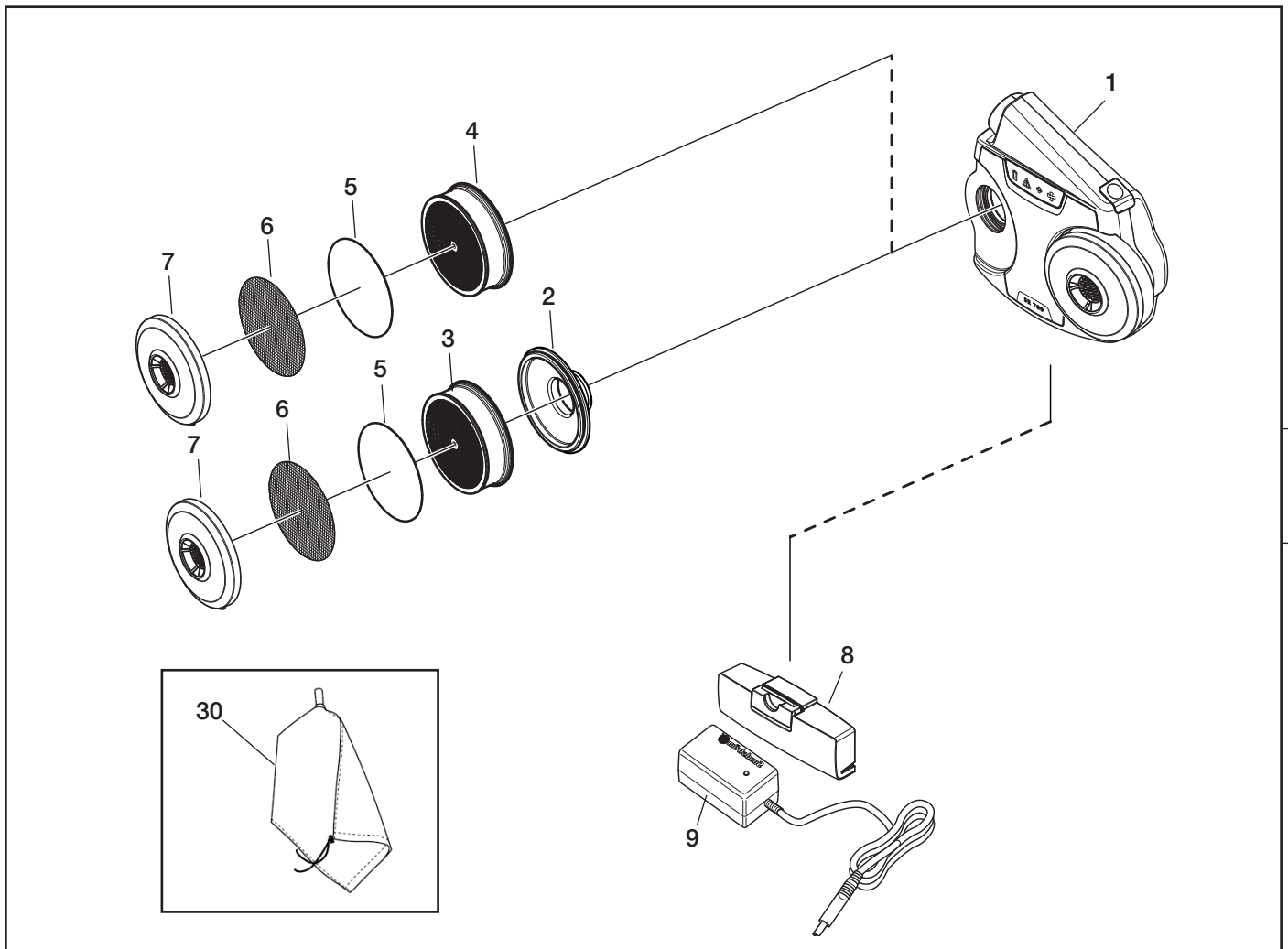




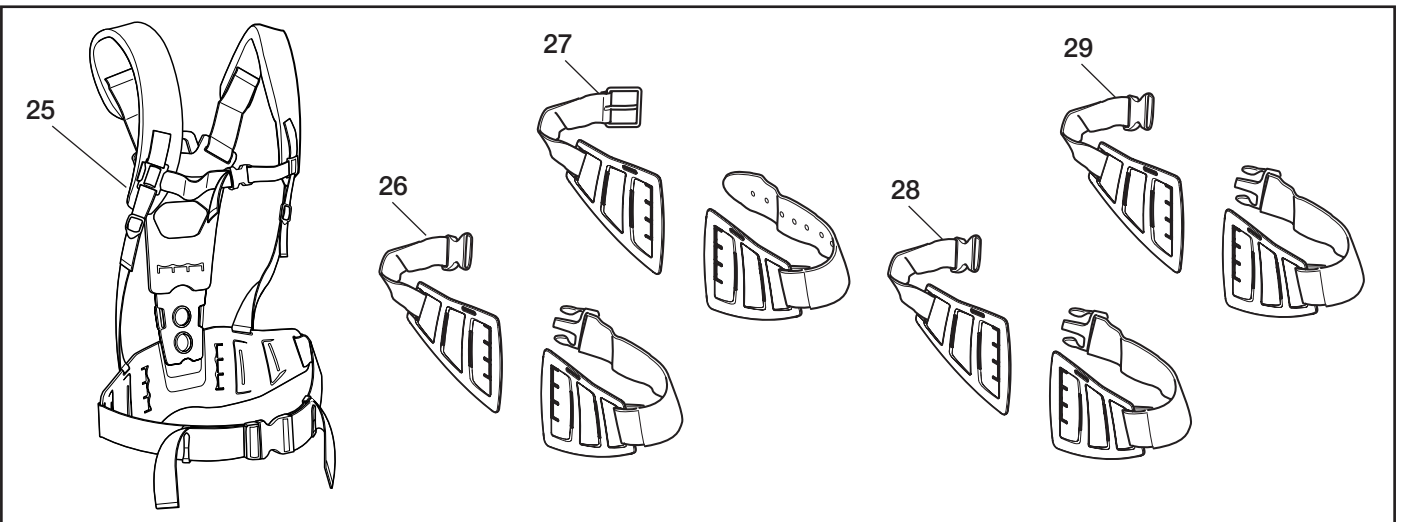
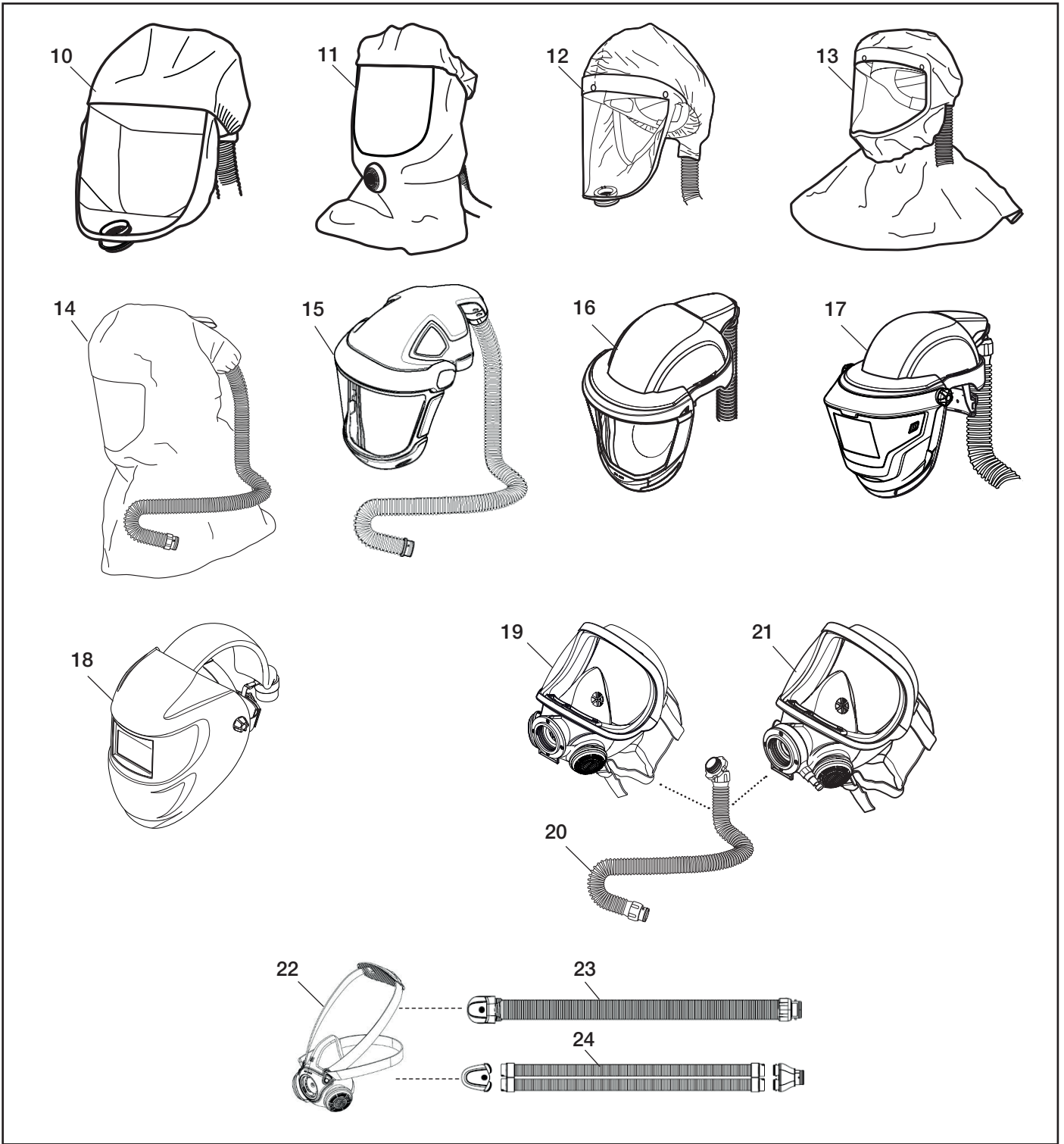
SR 700

SYSTEM OVERVIEW



No.	Description	Name	Art No.
1.	Fan unit	SR 700	R06-0710
2.	Particle filter adapter	SR 711	R06-0701
3.	Particle filter P3 R	SR 510	H02-1312
4.	Particle filter P3 R	SR 710	H02-1512
5.	Pre-filter	SR 221	H02-0312
6.	Steel net disc	SR 336	T01-2001
7.	Pre-filter holder		R01-0605
8.	Battery STD 2.25 Ah	SR 701	R06-0708
9.	Battery charger	SR 713	R06-0706
10.	Hood TH3	SR 520 S/M	H06-0312
	Hood TH3	SR 520 M/L	H06-0212
11.	Hood TH3	SR 530	H06-0412
12.	Hood TH3	SR 562	H06-5112
13.	Hood TH3	SR 561	H06-5012
14.	Hood TH3	SR 601	H06-5412
	Hood TH3	SR 602	H06-5512
15.	Face shield TH3	SR 570	H06-6512
16.	Helmet with visor TH3	SR 580	H06-8012
17.	Welding shield/Helmet with visor TH3	SR 584/ SR 580	H06-8310
18.	Welding shield TH3	SR 592	H06-4412
19.	Full face mask TM3, PC visor	SR 200	H01-1212
	Full face mask TM3, glass visor	SR 200	H01-1312

No.	Description	Name	Art No.
20.	Breathing hose 0,9 m PU	SR 550	T01-1216
	Breathing hose 1,0 m PU	SR 550	T01-1220
	Breathing hose 0,7 m rubber	SR 551	T01-1218
	Breathing hose 0,9 m rubber	SR 551	T01-1221
21.	Compressed air-fed full face mask TM3, PC visor	SR 200 Airline A	H03-1012
	Compressed air-fed full face mask TM3, glass visor	SR 200 Airline A	H03-1212
22.	Half mask TM3	SR 900 S SR 900 M SR 900 L	H01-3012 H01-3112 H01-3212
23.	Single Hose	SR 951	T01-3003
24.	Twin Hose	SR 952	R01-3009
25.	Harness	SR 552	T06-0116
26.	Belt cotton	SR 508	R06-0101
27.	Belt leather	SR 503	T06-0103
	Belt leather, large	SR 503	T06-0107
28.	Belt rubber	SR 504	T06-0104
29.	Belt PVC		T06-0124
30.	Flow meter	SR 356	R03-0346



The fan unit SR 700 is manufactured within a quality management system accepted by Notified Body 0194: INSPEC International Limited, 56 Leslie Hough way, Salford, M6 6 AJ, England



Sundström Safety AB
SE-341 50 Lagan • Sweden
Tel: +46 10 484 87 00
info@srsafety.se • www.srsafety.com